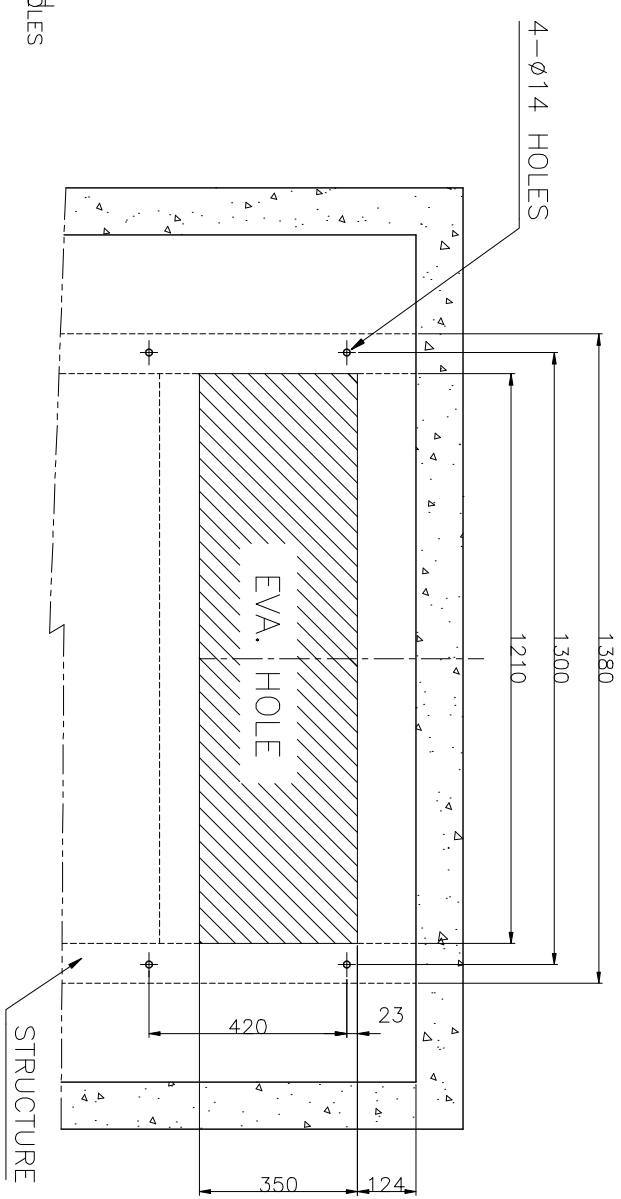
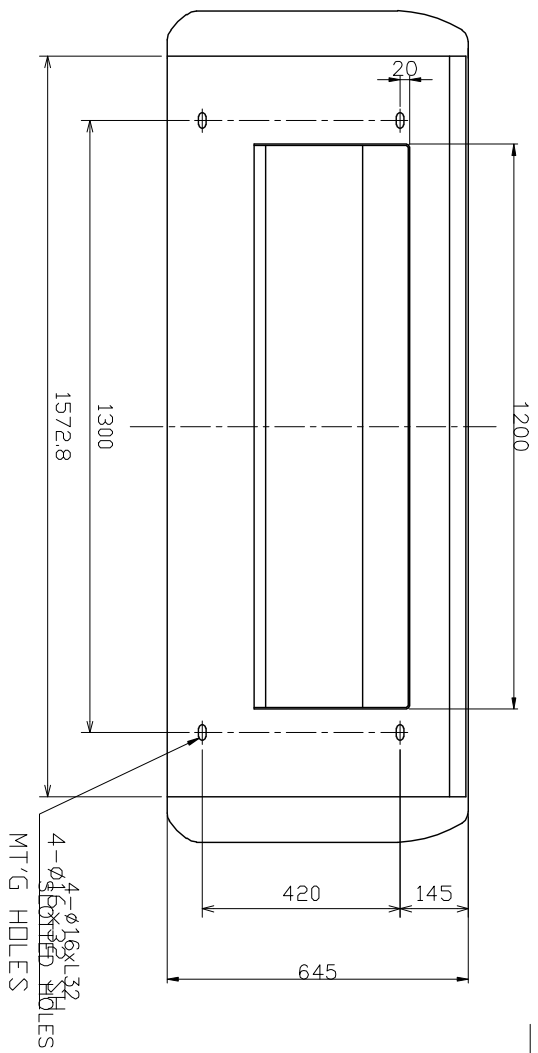
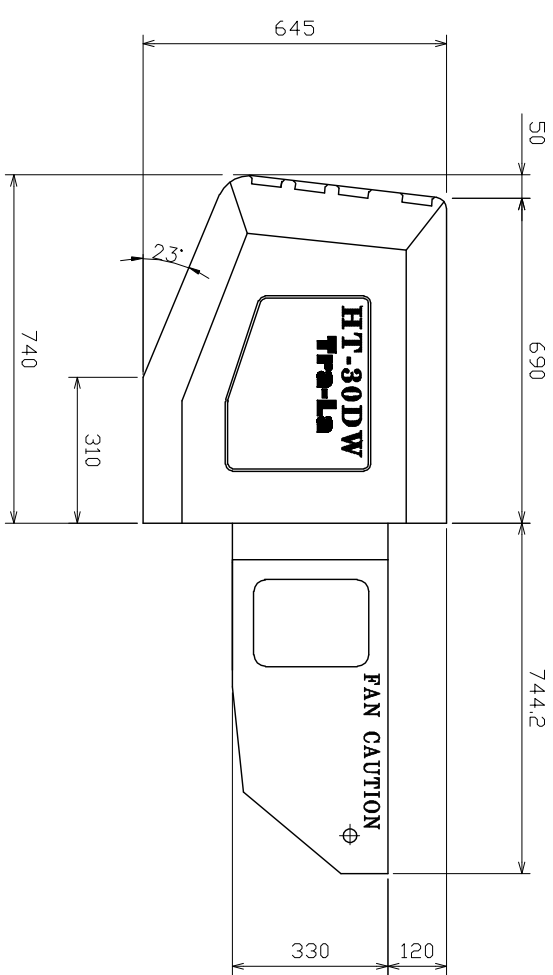
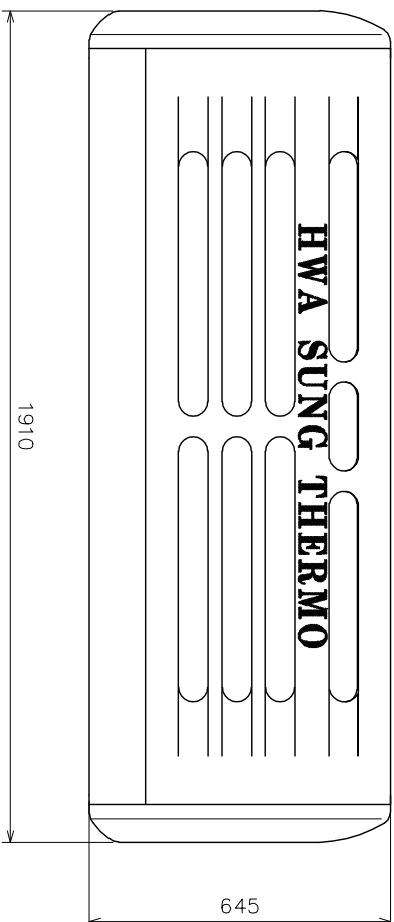


CAD No.

NO	DATE	REVISIONS	EO No	DR	CK



PART NAME

HT-30DW II Tra-La

DATE 2006.2.16

SCALE 1/15 A3

DIM. IN MILLIMETER



HWA SUNG THERMO CO.